

THELCO CUTAWAY DRAWING OF WORTHINGTON®
SPLIT CASE PUMP MODEL LR .

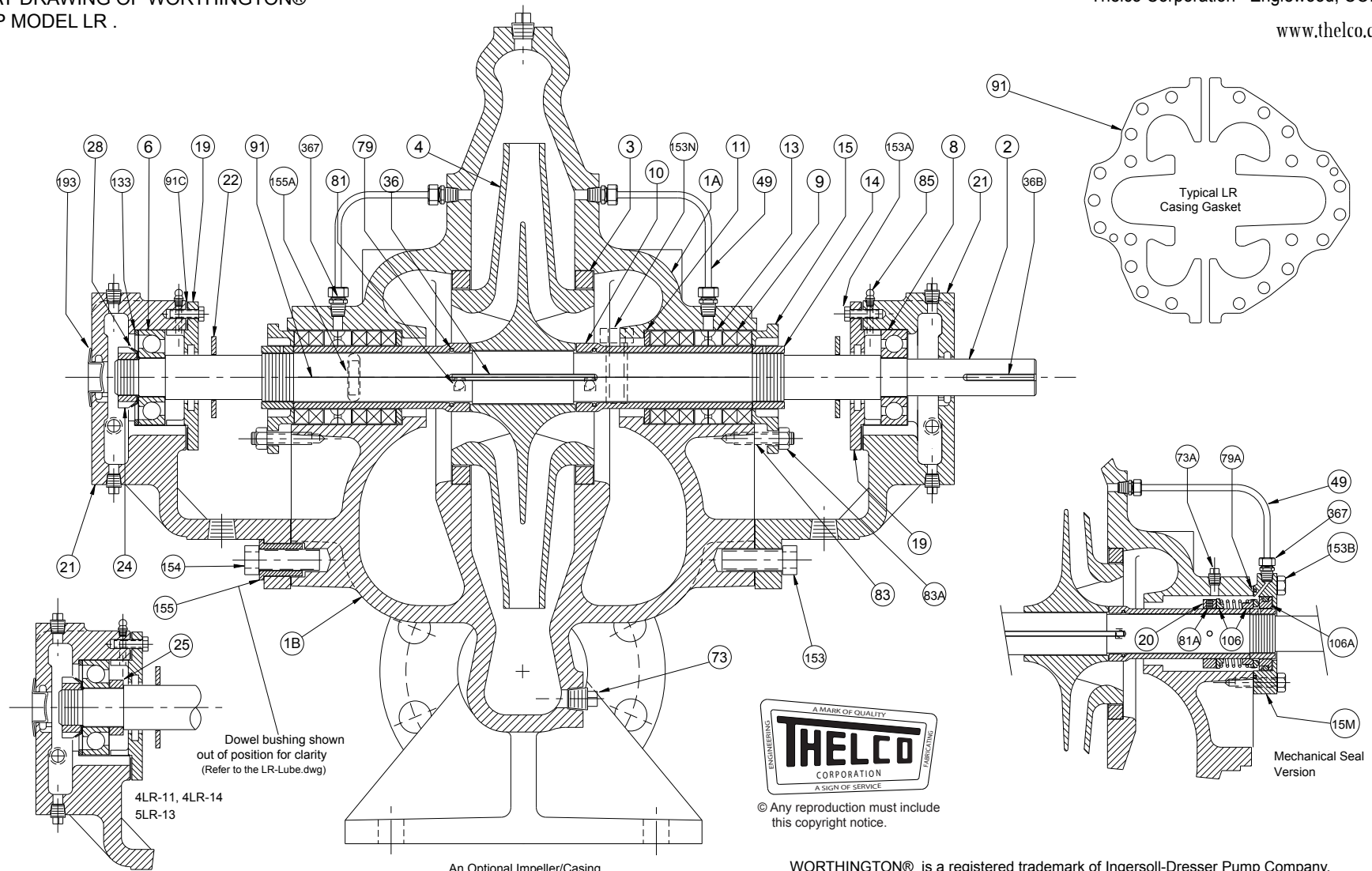
Thelco Corporation Englewood, CO. USA

www.thelco.com

PUMP SIZES;

3LR-9
3LR-12
4LR-10
4LR-11
4LR-12
4LR-14
5LR-10
5LR-13
5LR-15
6LR-10
6LR-13
6LR-16
6LR-18
8LR-12
8LR-13
8LR-14
8LR-20
10LR-14
10LR-15
10LR-16

For 10LR-17, 10LR-18
Refer to Drawing LR-17-18



REFERENCE NUMBERS

1A	Casing Upper Half	15	Gland, Packing	73	1/2 inch Pipe Plug	106A	Stationary Seat Mech Seal
1B	Casing Lower Half	15M	Gland, Mech Seal	73A	1/4 inch Pipe Plug	133	Bearing Shim
2	Shaft	19	Bearing Cover	79	O-Ring, Shaft Sleeve	153	Bearing Bracket Screws
3	Casing Ring	20	Mechanical Seal Collar	79A	O-Ring, Gland M. S.	153A	Bearing Cover Cap Screws
4	Impeller	21	Thrust/Line Brg Bracket	81	Set Screw, Casing Ring	153B	Cap Screw, M. S. Gland
6	Thrust Bearing	22	Deflector	81A	Set Screw, Collar M.S.	153N	Casing Split Cap Screws
8	Line Bearing	24	Bearing Lock Nut	83	Gland Stud	154	Dowel Bushing Screws
9	Packing	25	Bearing Spacer	83A	Gland Nut	155	Dowel Bushings
10	Shaft Sleeve	28	Bearing Lock Nut Washer	85	Grease Fitting 1/8 NPT	155A	Roll Pin
11	Stuffing Box Bushing *	36	Impeller Key	91	Casing Gasket	193	Dust Cover
13	Seal Cage	36B	Coupling Key	91C	Bearing Cover Gasket	367	Compression Fitting
14	Shaft Nut	49	Flush Tube, Optional	106	Rotating Element Mech Seal		

* Packed Box Only