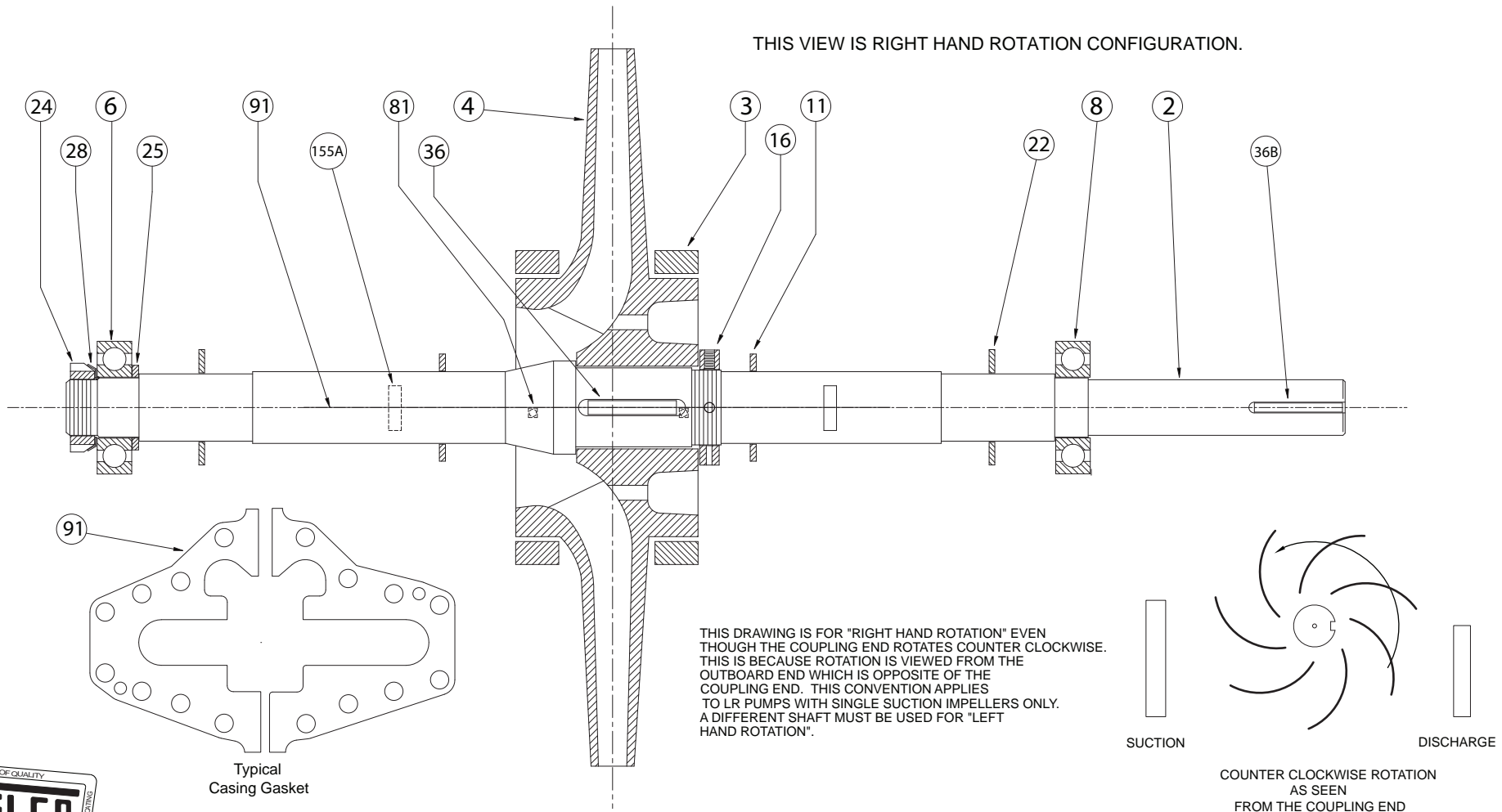


THELCO CUTAWAY DRAWING OF WORTHINGTON® SPLIT CASE PUMP ROTATING ASSEMBLY
SINGLE SUCTION IMPELLER, MODEL LR, SIZES; 2-1/2 LR-10, 2-1/2 LR-13 **

Thelco Corporation Englewood, CO. USA
www.thelco.com



THIS VIEW IS RIGHT HAND ROTATION CONFIGURATION.

THIS DRAWING IS FOR "RIGHT HAND ROTATION" EVEN THOUGH THE COUPLING END ROTATES COUNTER CLOCKWISE. THIS IS BECAUSE ROTATION IS VIEWED FROM THE OUTBOARD END WHICH IS OPPOSITE OF THE COUPLING END. THIS CONVENTION APPLIES TO LR PUMPS WITH SINGLE SUCTION IMPELLERS ONLY. A DIFFERENT SHAFT MUST BE USED FOR "LEFT HAND ROTATION".

2 1/2 LR-10 COUPLING END DIA=0.983" IS SHAFT PART# 53903
2-1/2 LR-13 COUPLING END DIA=1.125" IS SHAFT PART# 53902



© Any reproduction must include this copyright notice.

An Optional Impeller/Casing Double Ring Repair Set Available.

WORTHINGTON® is a registered trademark of Ingersoll-Dresser Pump Company. Thelco is not affiliated with WORTHINGTON® or Ingersoll-Dresser Pump Company

April 2010

REFERENCE NUMBERS

2	Shaft	8	Line Bearing	24	Bearing Lock Nut	36B	Coupling Key
3	Casing Ring (2)	11	Stuffing Box Bushing (2) *	25	Thrust Bearing Spacer **	81	Set Screw, Casing Ring (2)
4	Impeller	16	Impeller Nut	28	Bearing Lock Nut Washer	91	Casing Gasket
6	Thrust Bearing	22	Deflector (2)	36	Impeller Key	155A	Roll Pin (2)

* Packed Box Only

** 2-1/2 LR-13 Only