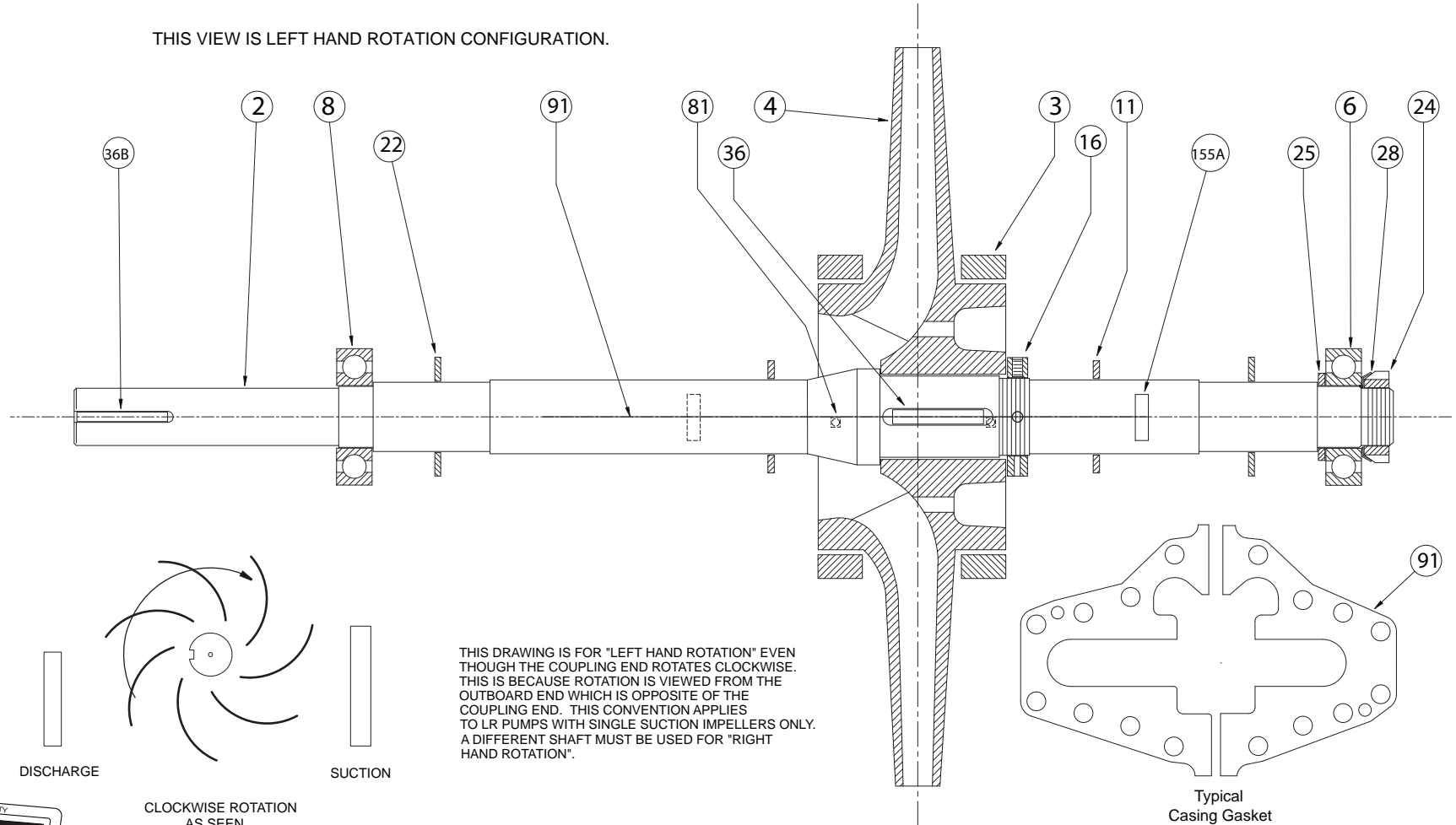


THELCO CUTAWAY DRAWING OF WORTHINGTON® SPLIT CASE PUMP ROTATING ASSEMBLY
SINGLE SUCTION IMPELLER, MODEL LR, SIZES; 2-1/2 LR-10, 2-1/2 LR-13 **

Thelco Corporation Englewood, CO. USA
www.thelco.com



© Any reproduction must include this copyright notice.

An Optional Impeller/Casing Double Ring Repair Set Available.

WORTHINGTON® is a registered trademark of Ingersoll-Dresser Pump Company. Thelco is not affiliated with WORTHINGTON® or Ingersoll-Dresser Pump Company

April 2010

REFERENCE NUMBERS

2	Shaft	8	Line Bearing	24	Bearing Lock Nut	36B	Coupling Key
3	Casing Ring (2)	11	Stuffing Box Bushing (2) *	25	Thrust Bearing Spacer **	81	Set Screw, Casing Ring (2)
4	Impeller	16	Impeller Nut	28	Bearing Lock Nut Washer	91	Casing Gasket
6	Thrust Bearing	22	Deflector (2)	36	Impeller Key	155A	Roll Pin (2)

* Packed Box Only

** 2-1/2 LR-13 Only