

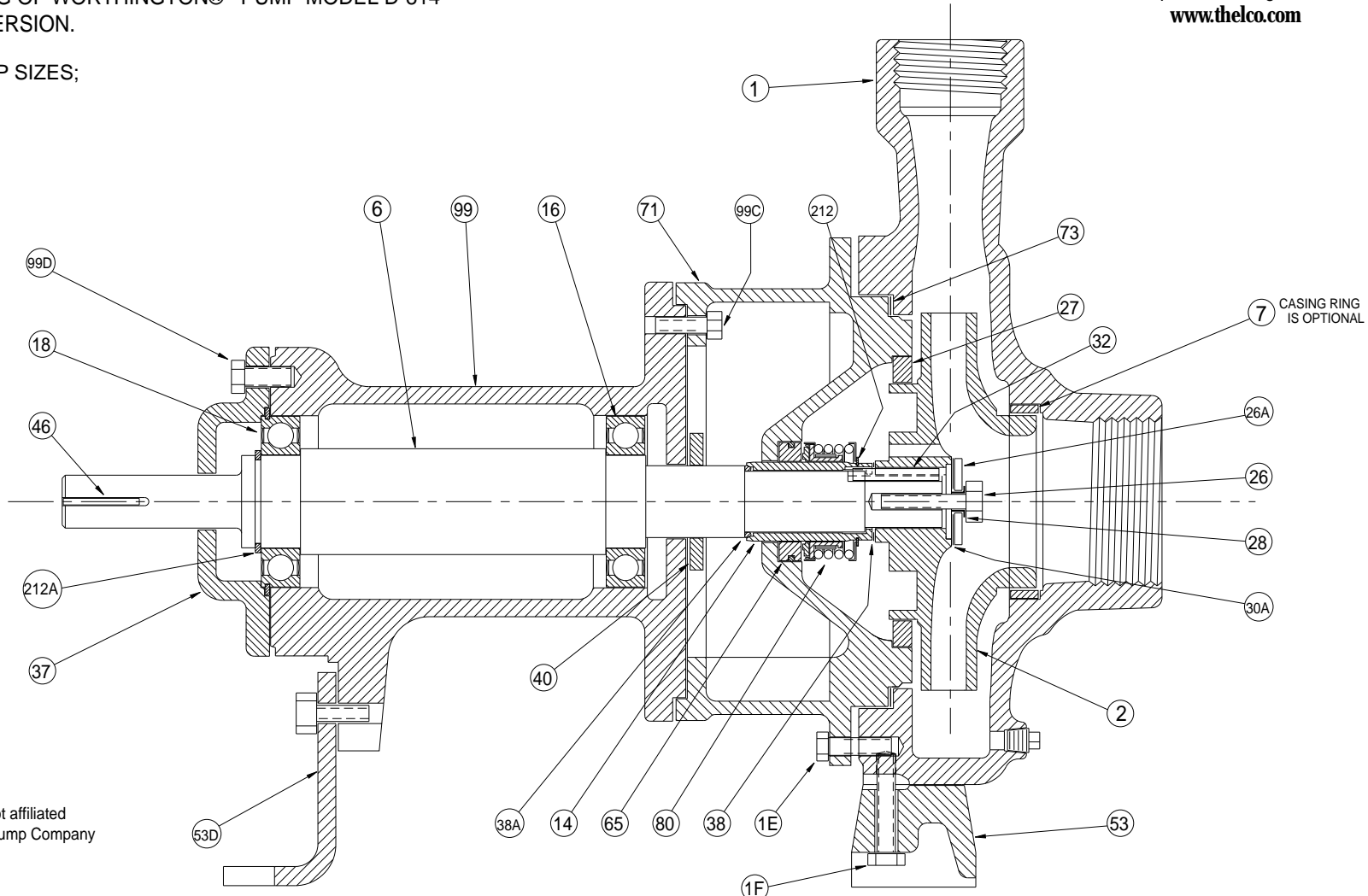
THELCO CUTAWAY DRAWING OF WORTHINGTON® PUMP MODEL D-814
 THREADED CONNECTION VERSION.

Thelco Corporation Englewood, CO. USA
www.thelco.com

THREADED CONNECTION PUMP SIZES;

- 2-1/2X2-1/2X4 A-Frame
- 2-1/2X1-1/2X5 A-Frame
- 3 X 2 X 5 A-Frame
- 1-1/2X 1 X 6 A-Frame
- 2 X 1 X 6 A-Frame
- 2-1/2X1-1/2 X 6 A-Frame
- 3 X 2 X 6 A-Frame
- 2 X 1 X 8 A-Frame
- 2-1/2X1-1/2 X 8 A-Frame
- 3 X 2 X 8 A-Frame

MOST OF THESE CASING SIZES
 ARE AVAILABLE FLANGED
 A-Frame has a hooked sleeve.



© Any reproduction must include
 this copyright notice.

WORTHINGTON® is a registered trademark of
 Ingersoll-Dresser Pump Company. Thelco is not affiliated
 with WORTHINGTON® or Ingersoll-Dresser Pump Company

D-814's use sealed bearings
 and do not require lubrication.

REFERENCE NUMBERS

Nov, 2008

1	Casing	18	Bearing, Thrust	38	Gasket, Shaft Sleeve	73	Gasket, Casing
1E	Cap Screw, Casing	26	Cap Screw, Impeller	38A	O-Ring, Shaft Sleeve	80	Rotor, Mechanical Seal
1F	Cap Screw, Foot	26A	Washer, Impeller	40	Deflector	99	Housing, Bearing
2	Impeller	27	Adapter Ring	46	Coupling Key	99C	Cap Screw, Adapter
6	Shaft	28	Gasket, Impeller Screw	53	Foot, Casing	99D	Cap Screw, Cover
7	Casing Ring, *Optional*	30A	Gasket, Impeller Washer	53D	Support, Bearing Housing	212	Ring, Seal Retainer
14	Sleeve, Shaft (hooked)	32	Key, Impeller	65	Seat, Mechanical Seal	212A	Ring, Bearing Retainer
16	Bearing, Line	37	Cover, Thrust Bearing	71	Adapter		