

THELCO CUTAWAY DRAWING OF WORTHINGTON® PUMP MODEL D-1011 FRAME 3, COOLING JACKET, 6 inch ONLY
 PACKED BOX TYPE, SIZES; 3 X 2 X 6, 4 X 3 X 6, 6 X 4 X 6

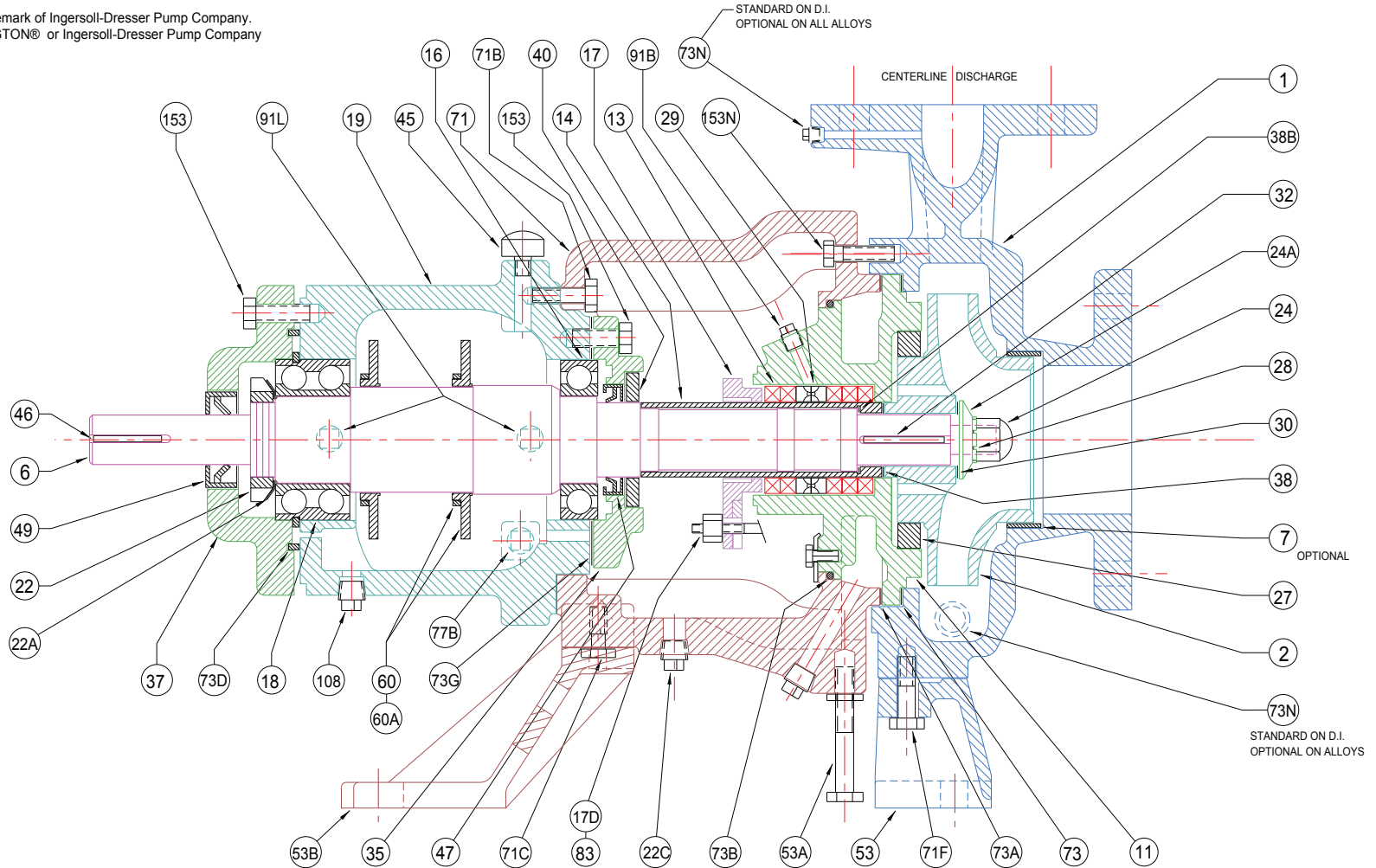
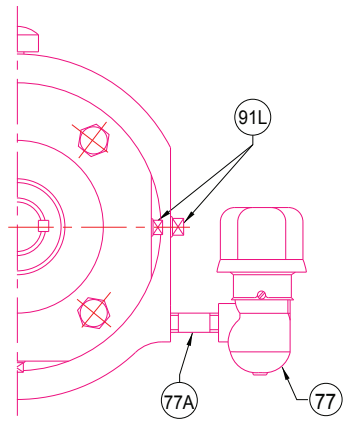
Thelco Corporation Englewood, CO. USA

www.thelco.com

WORTHINGTON® is a registered trademark of Ingersoll-Dresser Pump Company.
 Thelco is not affiliated with WORTHINGTON® or Ingersoll-Dresser Pump Company



© Any reproduction must include this copyright notice.



Note: Cut Shaft with Sleeve Version Shown.
 Solid Shaft Version is Dimensionally Similar to Cut Shaft Including Sleeve.
 *** These Two Parts are not Included with the Solid Shaft Version.

* Items contained in liquid end gasket kit.
 ** Items contained in frame end gasket kit

REFERENCE NUMBERS

1	CASING	22C	DRIP PAN (OPTIONAL)	46	KEY, COUPLING	73B	O-RING, STUFF BOX COVER *
2	IMPELLER	24	NUT, IMPELLER	47	LIP SEAL, LINE BEARING **	73D	SEAL RING, THRUST BRG COVER **
6	SHAFT (Shown Cut for a Sleeve)	24A	LOCK WASHER, IMPELLER *	49	LIP SEAL, THRUST BEARING **	73G	GASKET, LINE BEARING COVER **
7	RING, CASING (OPTIONAL)	27	RING, ADAPTER COVER	53	FOOT, CASING	73N	PIPE PLUG, CASING
11	STUFF BOX COVER	28	GASKET, IMPELLER NUT *	53A	ADAPTER SUPPORT, INBOARD	77	CONSTANT LEVEL OILER
13	PACKING SET	29	SEAL CAGE SET	53B	ADAPTER SUPPORT	77A	NIPPLE, OILER
14	SLEEVE, SHAFT ***	30	GSKT, IMPELLER LOCK WSHR *	60	FLINGER, OIL	77B	PIPE PLUG, GREASE LUBE PUMPS
16	LINE BEARING	32	KEY, IMPELLER	60A	COLLAR, OIL FLINGER	83	STUD, PACKING GLAND
17	GLAND, PACKING	35	COVER, LINE BEARING	71	ADAPTER	91B	PIPE PLUG, STUFF BOX
17D	NUT, GLAND STUD	37	COVER, THRUST BEARING	71B	CAP SCREW, ADAPTER	91L	PIPE PLUG, OIL LUBE PUMPS
18	THRUST BEARING	38	GASKET, SLEEVE (OUTER) *	71C	CAP SCREW, ADAPTER FOOT	91L	GREASE FTNG, GREASE LUBE PUMPS
19	BEARING HOUSING	38B	GASKET, SLEEVE (INNER) * ***	71F	CAP SCREW, CASING FOOT	108	PIPE PLUG, DRAIN
22	LOCK NUT, BEARING	40	DEFLECTOR	73	GASKET, CASING *	153	CAP SCREW, BEARING COVER
22A	WASHER, BRG LOCK NUT **	45	VENT CAP	73A	GASKET, STUFF BOX COVER *	153N	CAP SCREW, CASING

Oct 2008