

THELCO DRAWING OF WORTHINGTON® D-1000 COOLING CAP OPTION

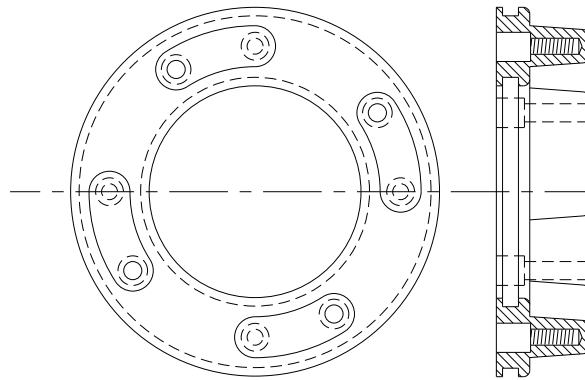
Thelco Corporation Englewood, CO. USA
www.thelco.com



© Any reproduction must include this copyright notice.

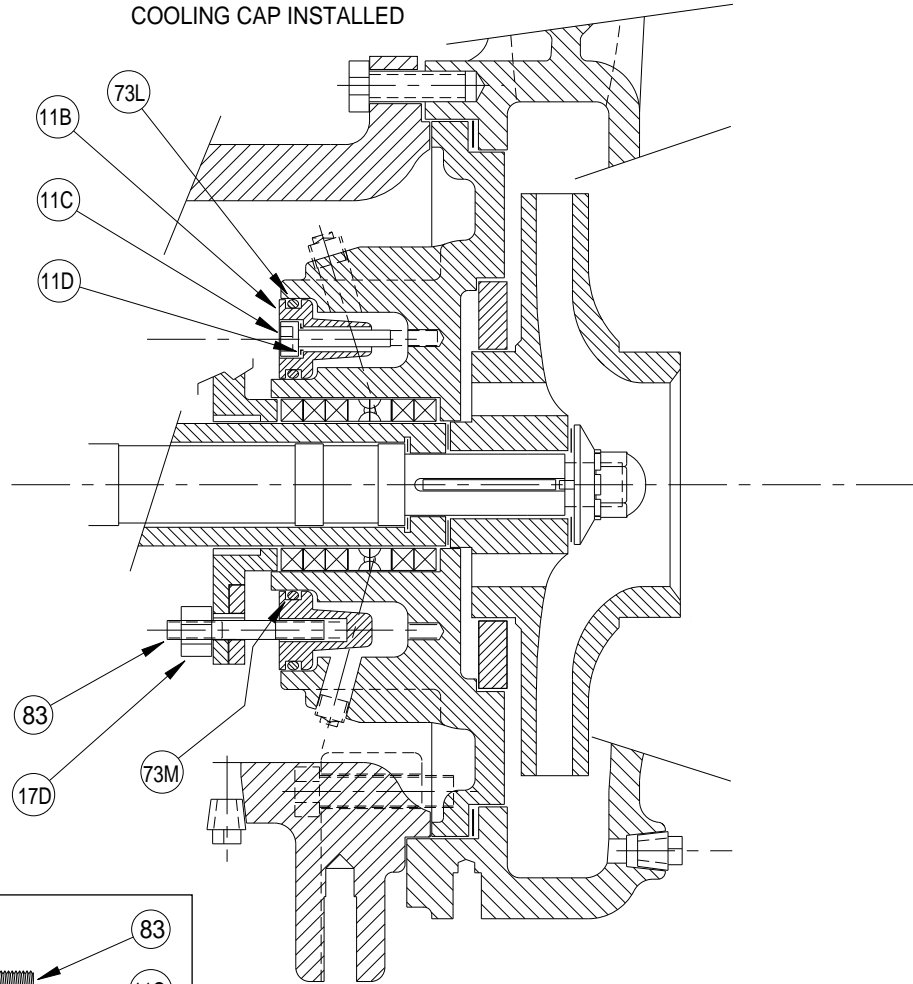
AVAILABLE FOR SELECT PUMP SIZES ONLY.

COOLING CAP VIEWS



PART OF COOLING CAP IS SHOWN ROTATED IN THE PUMP FOR CLARITY.

COOLING CAP INSTALLED



Reference Numbers

- 11B COOLING CAP
- 11C HEX SOCKET BOLT
- 11D NYLON WASHER
- 17D NUT, GLAND STUD
- 73L O-RING, COOLING CAP(OUTER)
- 73M O-RING, COOLING CAP(INNER)
- 83 STUD, GLAND
- 83A STUD, GLAND-COMBINATION

